

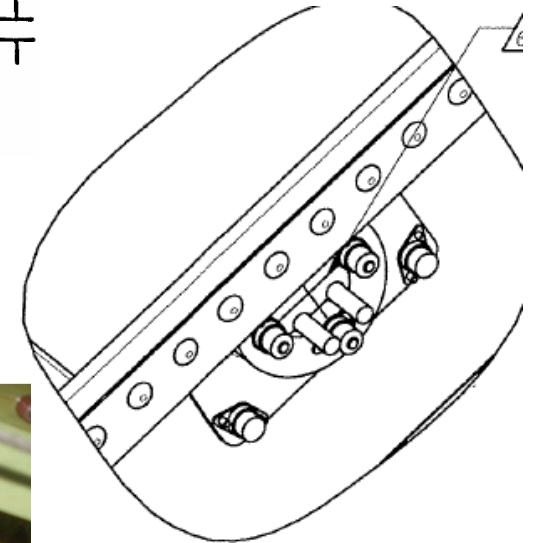
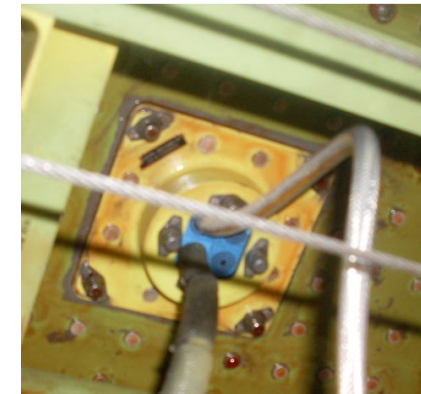
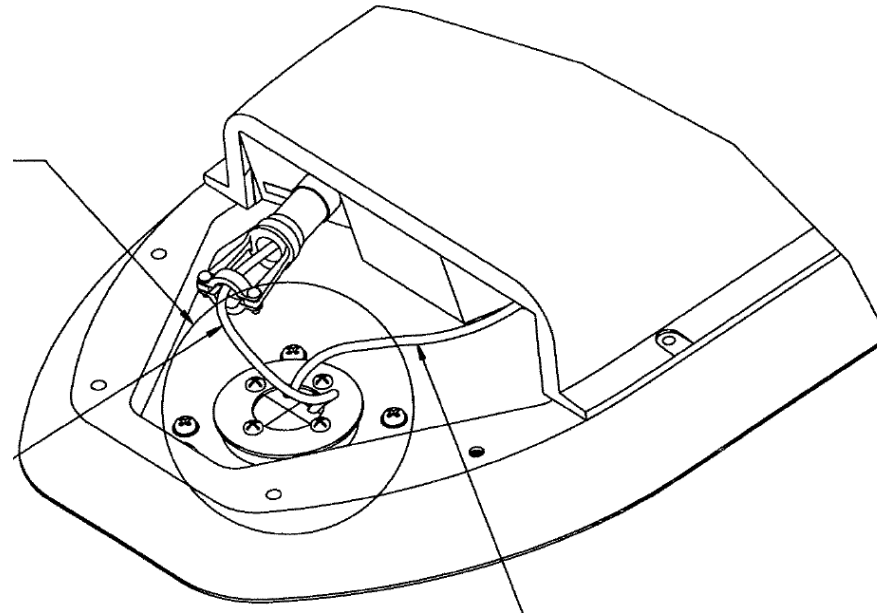
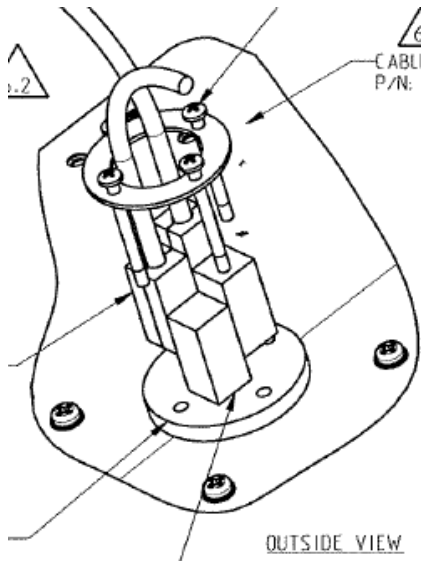
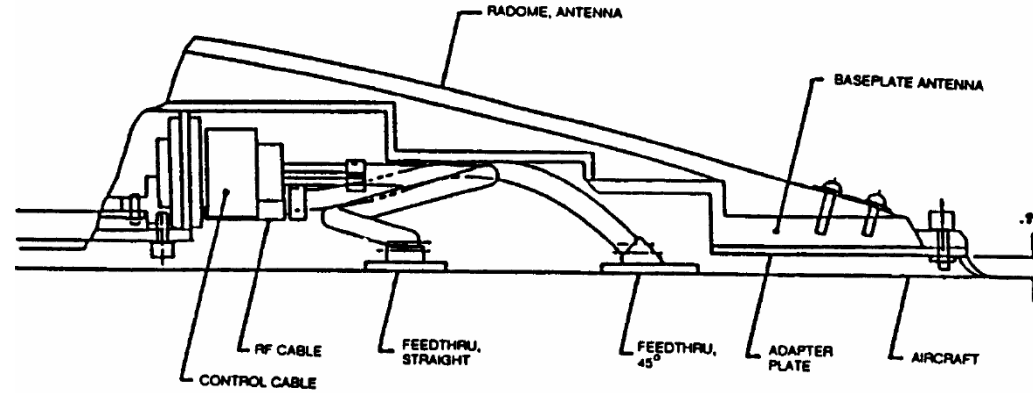
# Carlisle Interconnect Technologies

## Compression Pass-through Offerings

*DATE: 07/17/2020*

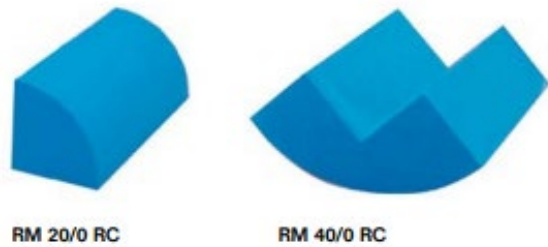
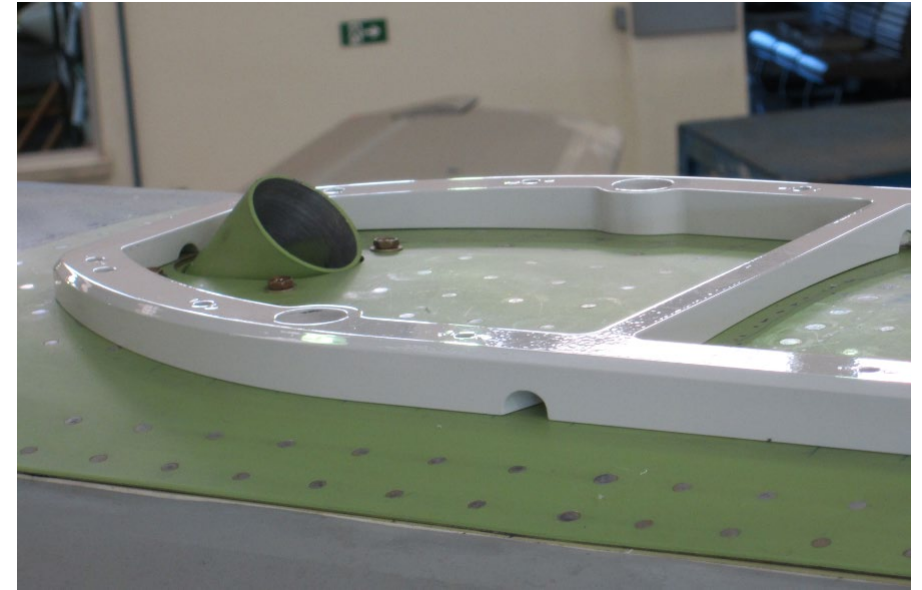
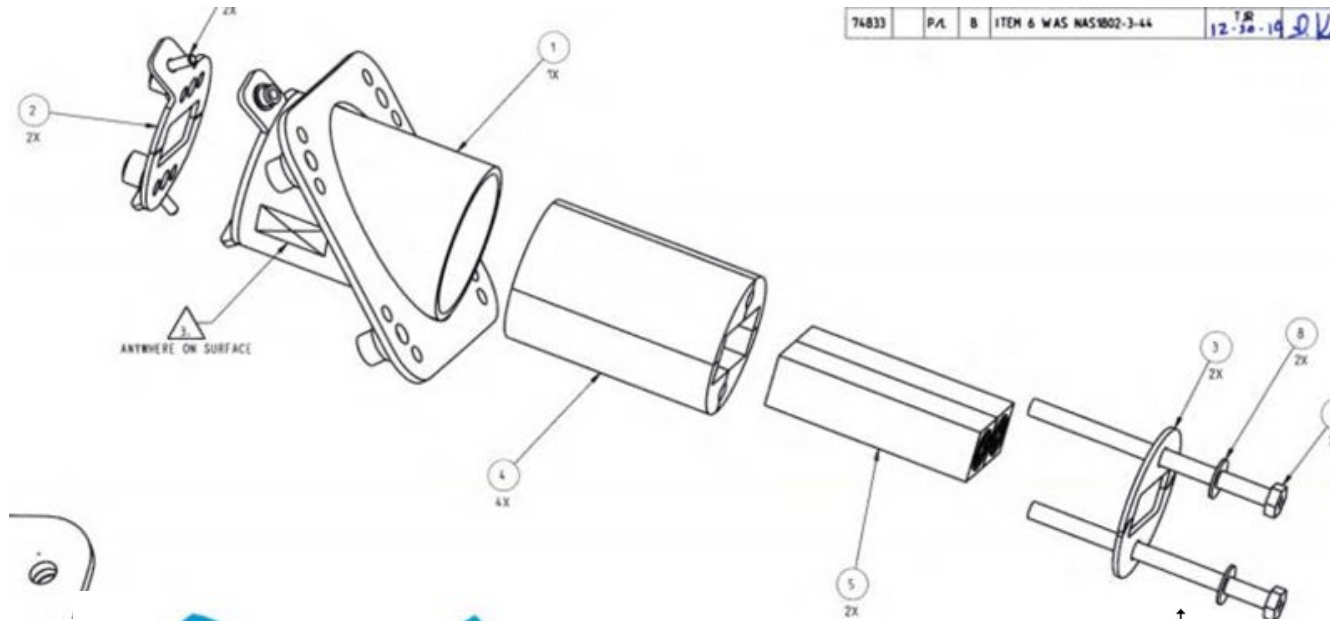
# Product Range

- Carlisle has been making 'ARINC 741' style pass-throughs quite a few years (thousands of hours of operation)



**CARLISLE**  
INTERCONNECT TECHNOLOGIES

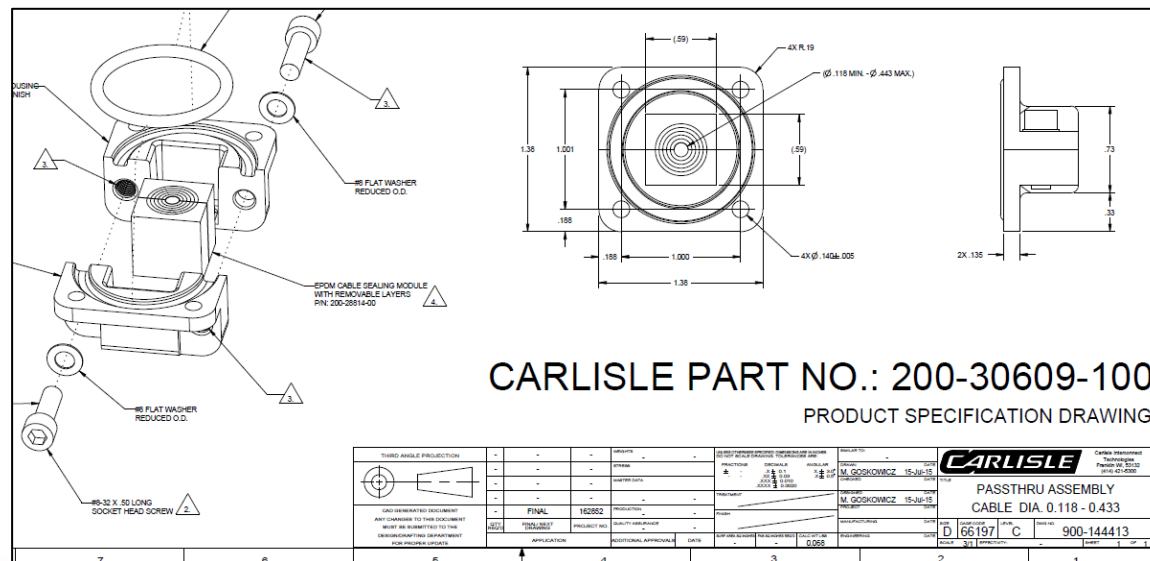
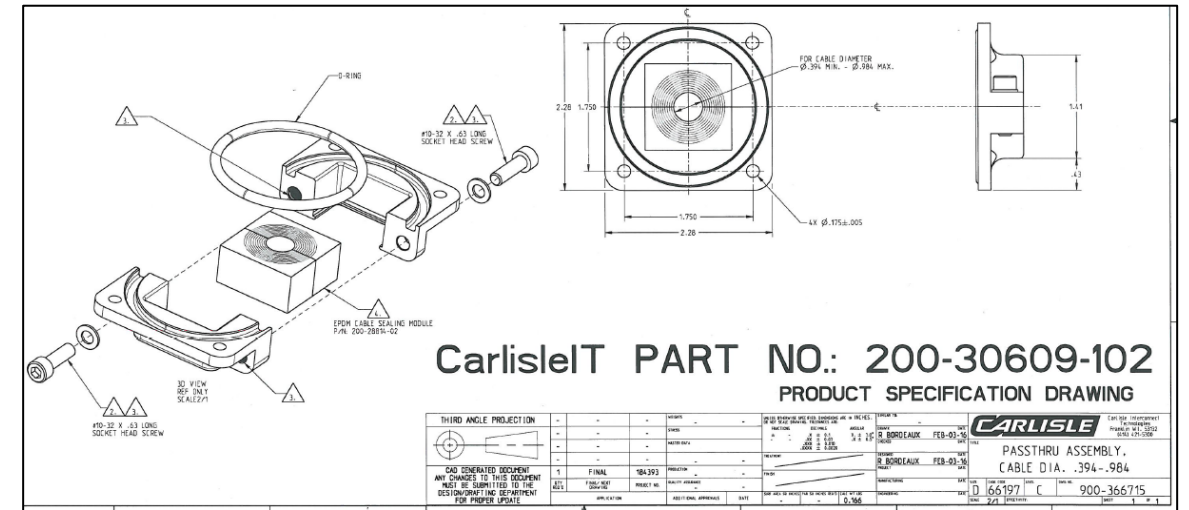
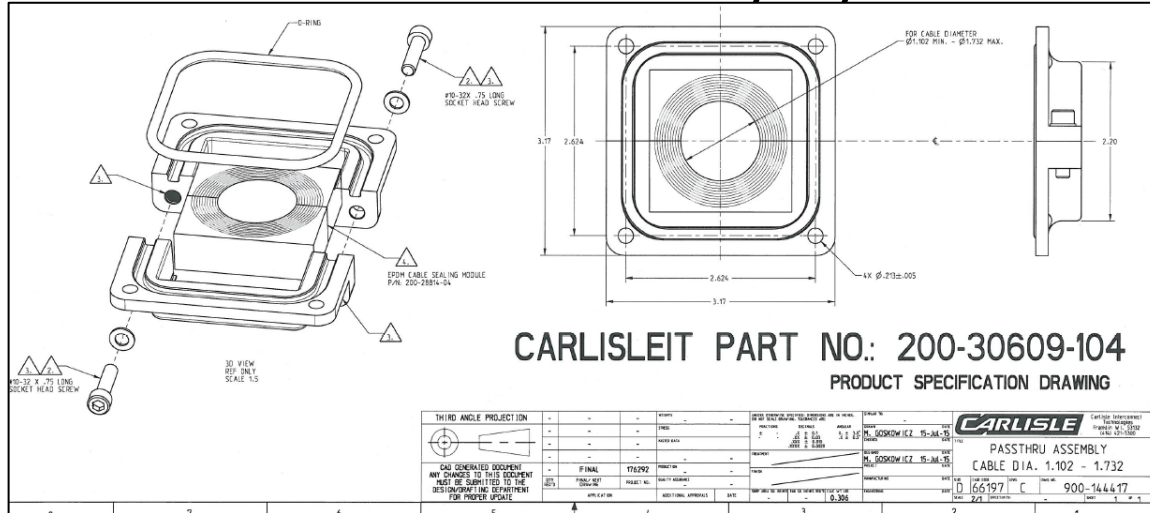
# Angled pass-through



Round Corner can be incorporated to adapt to a circular cutout

# Lower profile, single pass through

- Several different assembly styles available

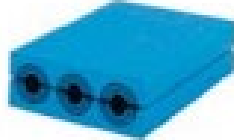




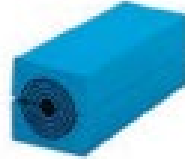
# Multiple sizes available



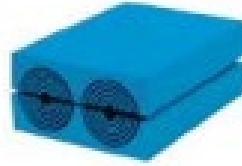
RM 15



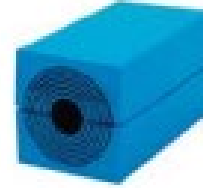
RM 15w40 <sup>TM</sup>



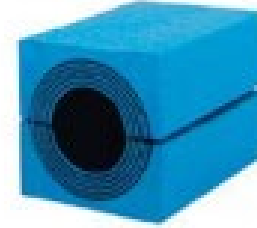
RM 20



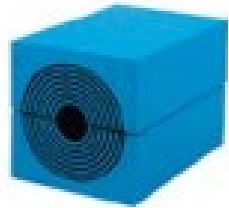
RM 20w40 <sup>TM</sup>



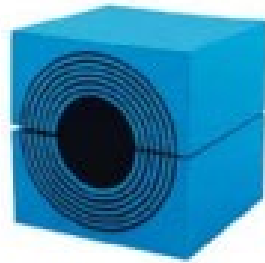
RM 30



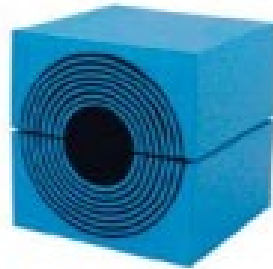
RM 40



RM 40 10-32



RM 60



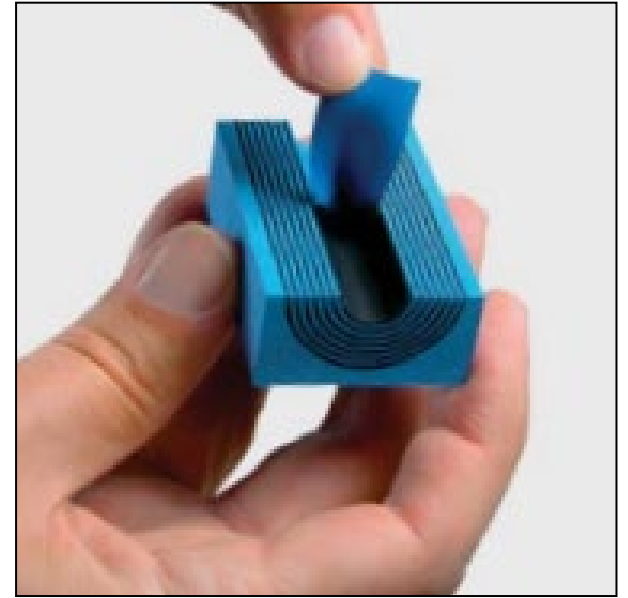
RM 60 24-54

Module Size	Part No.	Dia Min (mm)	Dia Max (max)
15x15	RM15	3	11
15x40	RM15X40	3.5	10.5
20x20	RM20	4	14.5
20x20S	RM20W40	3.5	16.5
30x30	RM30	10	25
40x40	RM40	21.5	34.5
40x40S	RM4010-32	9.5	32.5
60x60	RM60	28	54
60x60S	RM24-54	24	54



# Cable pass through overview

- EDPM blocks to seal pass through locations
- Block centers contain removable layers to custom fit cable diameters
- Material meets flammability, smoke, and toxicity requirements
- Secondary sealant can be applied once installed
  - Carlisle currently utilizes these pass throughs in several aircraft cabinets in which RTV is applied after compression as a redundant seal



**CARLISLE**  
INTERCONNECT TECHNOLOGIES

# Questions?

- Questions?

