



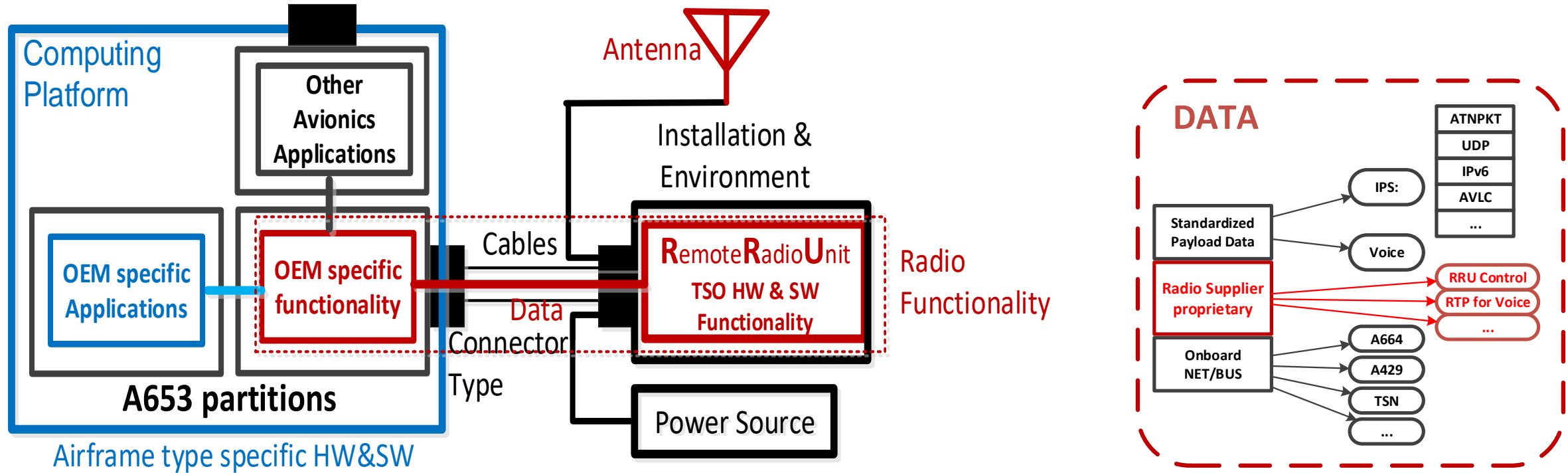
APIM 18-003 CNS DISTRIBUTED RADIO ARCHITECTURES

PETR KANOVSKY

Honeywell

3.5 SYSTEM DESIGN CONSTRAINTS – HON CONTRIBUTION

Airframe type specific (OEM)
 Radio Supplier specific
 Standardized in ARINC



Action from last SAI meeting: explain “Data”